

# INSTALLATION & ASSEMBLY INSTRUCTIONS

## WOODEN FIREPLACE SURROUND

SUPERIORFIRES

Superior Fires

Christchurch, Dorset BH23 2BT

Tel: 01202 588 632

Fax: 01202 499326

[www.superiorfires.co.uk](http://www.superiorfires.co.uk)

Email : [sales@superiorfires.co.uk](mailto:sales@superiorfires.co.uk)

### MODELS COVERED BY THESE INSTRUCTIONS

DARTMOOR FIREPLACE SURROUND

DURHAM FIREPLACE SURROUND

SF12-201-001



**MODEL SHOWN: DARTMOOR**

Please note : Except where otherwise stated, all rights, including copyright in the text, images and layout of this booklet is owned by Focal Point Fires plc. You are not permitted to copy or adapt any of the content without the prior written permission of Focal Point Fires plc.

**All instructions must be handed to the user for safekeeping.**

Revision A - 07/15

© 2015 Focal Point Fires plc.

Section	Contents	Page No.	Section	Contents	Page No.
1.0	<b>Important notes</b>	2	5.0	<b>Installation</b>	5
2.0	<b>Tools required</b>	2	6.0	<b>Cleaning/ finishing</b>	6
3.0	<b>Hardware &amp; parts list</b>	2	7.0	<b>Guarantee - terms and conditions</b>	6
4.0	<b>Assembly</b>	3			

## 1.0 IMPORTANT NOTES

To ensure safe and stable installation:

1. The assembled Fire Surround must be fixed / secured to wall.
2. The wall must be sturdy and in good repair.
3. Some walls require alternative fixings (not included).
4. When drilling into the wall, check for hidden pipes and cables.
5. There are two options for construction of this surround.

A - with rebates - If you are installing this surround with a gas fire, or an electric fire where there is space in the wall to recess the fire use parts 7 & 8, this means the laminate is up against the wall.

B - with out rebates - If using this surround with an electric fire and a flat wall do not use with rebates, instead use the spacer frame from the fire.

## 2.0 TOOLS REQUIRED













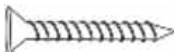

Cross head screwdriver PZ2 (3 inches in length or greater)

Drill, 6mm and a 2mm suitable drill bit

Pencil

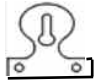



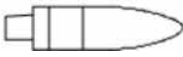
Tape measure

## 3.0 HARDWARE & PARTS LIST

CODE	NAME	FIGURE	QUANTITY	CODE	NAME	FIGURE	QUANTITY
A	WOOD DOWELS (8X30mm)		14PCS	①	TOP PANEL		1PC
B	WOOD DOWELS (8X20mm)		4PCS	②	FRONT PANEL		1PC
C	CAM LOCKS (15X12mm)		11PCS	③	LEFT SIDE LEG		1PC
D	CAM BOLTS (5.5X30mm)		11PCS	④	RIGHT SIDE LEG		1PC
E	WOOD SCREW (8X32mm)		6PCS	⑤	LEFT SIDE PANEL		1PC
F	WOOD SCREW (8X50mm)		9PCS	⑥	RIGHT SIDE PANEL		1PC
G	SCREWS (8X38mm)		2PCS	⑦	SIDE INSIDE PANEL		2PC

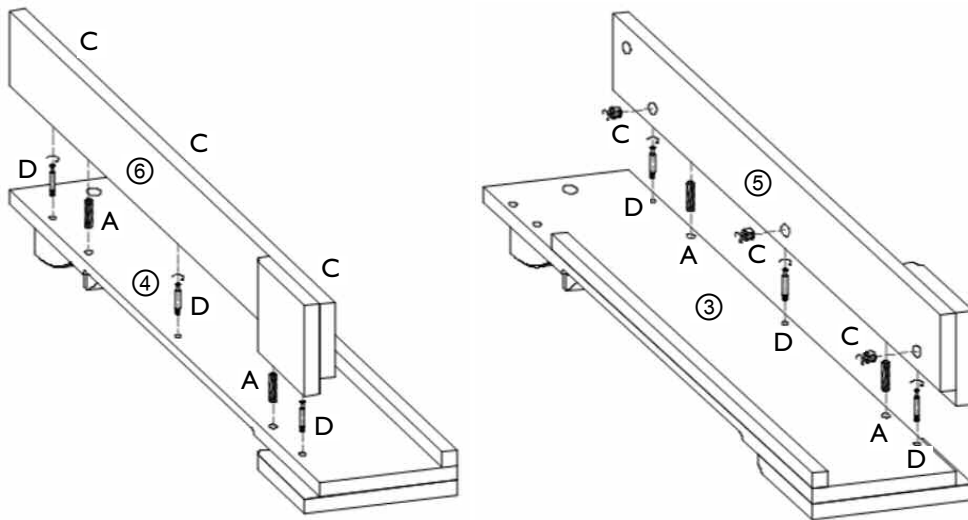
## 3.0 HARDWARE & PARTS LIST - CONTINUED

GB IE

CODE	NAME	FIGURE	QUANTITY	CODE	NAME	FIGURE	QUANTITY
H	MIRROR PLATES (45X43mm)		2PCS	⑧	TOP INSIDE PANEL		1PC
I	WOOD SCREW (6X19mm)		4PCS				
J	WALL PLUG (6X25mm)		2PCS				
K	GLUE (10g)		1PCS				

## 4.0 ASSEMBLY

### STEP I

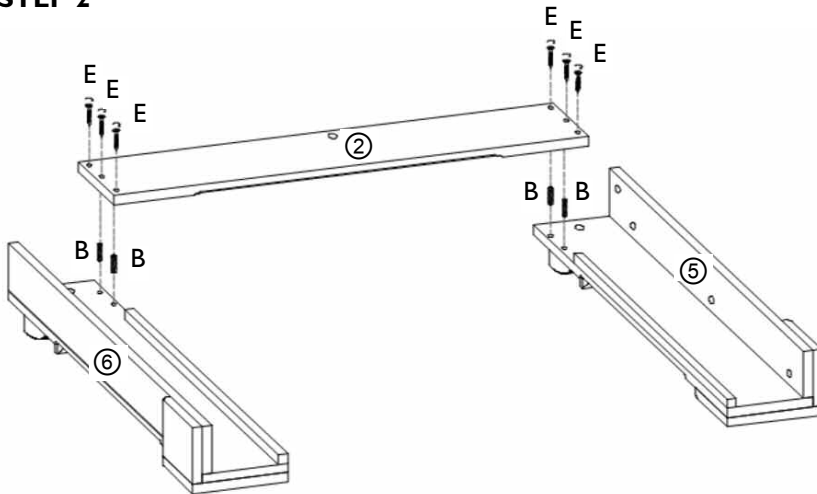


Fixings	Parts
A x 4 PCS	3
C x 6 PCS	4
D x 6 PCS	5
	6

Insert 3x cam locks (C) into the right hand side panel (6), ensuring that the cross heads are facing outwards. So it can be tightened later on. Using a cross head screwdriver, screw the 3x cam bolts (D) into the right side leg (4). Offer the side panel up to the leg to make sure the inserts are in the correct orientation. Making sure that the cam locks are facing into the right leg and the leg is not upside down. Next insert 2 wooden 20mm dowels (A) into the right leg, using a small amount of glue (K). With the glue on both ends of the dowel joints, insert the right panel onto the right leg. When in the correct position, you are able to tighten the cam locks with a PZ2 screw driver.

To assemble the left side please follow the same method used to complete the right hand side in the section above.

## STEP 2



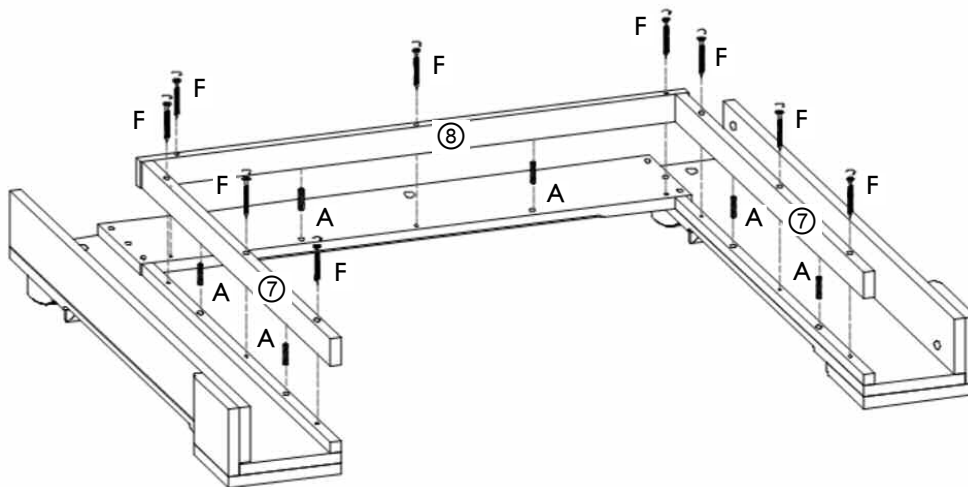
Fixings	Parts
B x 4 PCS	2
E x 6 PCS	5
	6

Gently lay both legs you have prepared onto a suitable protected surface. Be extremely careful not to scratch the front edges of the legs. **DO NOT DRAG THE LEGS!** Make sure that the legs are lifted everytime they are moved to avoid them from being damaged.

Now lay the left hand leg on your right and the right hand leg on your left, both facing downwards. Insert 2x 20mm dowels (B) into the left and right hand legs. Now position the front panel (2) onto the dowel joints in the legs to ensure the legs are at the correct distance apart. Also checking that the front panel is the correct way around. Next glue the dowels into position. Once in you are then able to screw the 6 x32mm screws (E) into position.

## STEP 3

If using option A only. If rebates are not being used go to step 4.



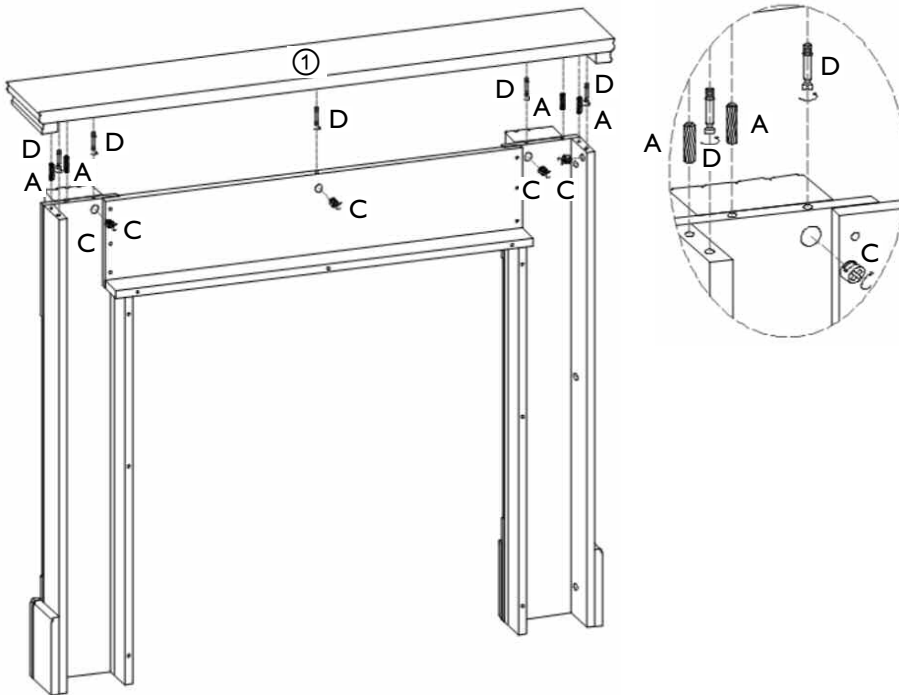
Fixings	Parts
A x 6 PCS	7
F x 9 PCS	7
	8

Now join all 3 inside panels (7 & 8) to the rear of the surround via 6 dowels, once glued into position screw 9x 50mm screws (F) to secure the surround together. Ensure the labels on the rebates are facing outwards.

## 4.0 ASSEMBLY - CONTINUED

GB IE

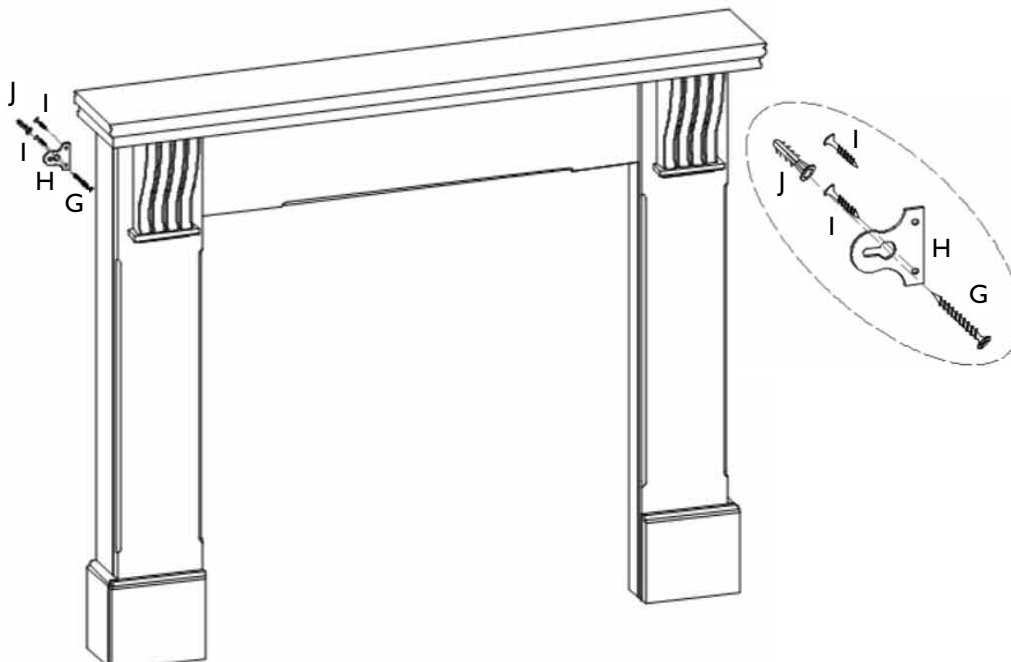
### STEP 4



Fixings	Parts
A x 4 PCS	1
C x 5 PCS	
D x 5 PCS	

Insert 2 cam locks (C) into each leg and 1 into the centre of the front panel, ensuring that all the cross heads are facing outwards. Next prepare the top panel (1) by screwing all 5 cam bolts (D) into position. The dowel joints (A) need to be glued in at both ends of the top panel. Connect the top panel to the surround, making sure all 9 inserts are in their correct position. Once home, all 5 cam locks (C) can be tightened into position.

## 5.0 INSTALLATION



Fixings
G x 2 PCS
I x 4 PCS
H x 2PCS
J x 2 PCS

With a pencil mark out the desired height where you would like the mirror brackets (H) to be situated on the rear of the legs. To avoid splitting the leg, pre drill the bracket holes with a 2mm drill bit. Now attach the brackets to the legs using the 6x19mm screws (I). Once the brackets are in position, centre and level the hearth into its final fitting position. Position the surround on the hearth to correspond with the header/fireplace lintel, mark with a pencil on the wall where you wish to drill. Remove the surround and prepare the wall from the marked positions. If using the fixings supplied, drill a hole in the wall using a 6mm drill bit. If not, use a suitable drill bit for the wall plugs you are using. Insert the wall plugs into position. Offering the surround back up into position against the wall, you are now able to secure the surround to the wall using the 2x38mm screws (G).

## 6.0 CLEANING/ FINISHING

GB IE

Before carrying out any of the following operations, ensure that the appliance is turned OFF and completely cold. Regularly clean around the appliance to ensure that dust, fluff, pet hair etc, are kept to a minimum. There are no other specific requirements for care, other than regular cleaning of the general surround.

A wipe with a dry cloth is normally sufficient. **DO NOT** use abrasive cleaners as they can damage the finish. Test on a hidden part before cleaning. Clean only in the direction of the grain. Regularly check that the surround is securely fixed in position.

## 7.0 GUARANTEE - TERMS AND CONDITIONS

The 3 year guarantee commences from the date of purchase, provided that the terms and conditions are adhered to:

### **Registration is not required.**

1. For any claim to be made within the 3 years from date of purchase you will be required to provide and supply us with your proof of purchase.

### **Making a claim is easy.**

If you wish to make a claim under our 3 year guarantee and all the terms and conditions for your product have been met then please submit the following information for the attention of the 3G Service Department to the address below. Alternatively, you can email or fax. Please note that this does not affect your statutory rights.

Focal Point Fires plc, 3G Service Department, Reid Street, Christchurch, Dorset, BH23 2BT.  
Alternatively email: [3g@focalpointfires.co.uk](mailto:3g@focalpointfires.co.uk) or fax. 01202 499326.

### **Details required:**

1. Name, full address including post code and contact telephone number.
2. Receipt of purchase or credit card statement.