

INSTALLATION & ASSEMBLY INSTRUCTIONS

WOODEN FIREPLACE SURROUND

SUPERIORFIRES

Superior Fires

Christchurch, Dorset BH23 2BT

Tel: 01202 588 632

Fax: 01202 499326

www.superiorfires.co.uk

Email : sales@superiorfires.co.uk

MODELS COVERED BY THESE INSTRUCTIONS

SIDMOUTH OAK FIREPLACE SURROUND - SF12-209-000

SIDMOUTH WHITE FIREPLACE SURROUND - SF12-208-000

SIDMOUTH WALNUT FIREPLACE SURROUND - SF12-210-000

WICHITA OAK FIREPLACE SURROUND

WICHITA WHITE FIREPLACE SURROUND

WICHITA WALNUT FIREPLACE SURROUND



MODEL SHOWN: SIDMOUTH OAK

Please note : Except where otherwise stated, all rights, including copyright in the text, images and layout of this booklet is owned by Focal Point Fires plc. You are not permitted to copy or adapt any of the content without the prior written permission of Focal Point Fires plc.

All instructions must be handed to the user for safekeeping.

Revision A - 07/15

© 2015 Focal Point Fires plc.

Section	Contents	Page No.	Section	Contents	Page No.
1.0	Important notes	2	5.0	Installation	4
2.0	Tools required	2	6.0	Cleaning/ finishing	4
3.0	Hardware & parts list	2	7.0	Guarantee - terms and conditions	4
4.0	Assembly	3			

1.0 IMPORTANT NOTES

To ensure safe and stable installation:

1. The assembled Fire Surround must be fixed / secured to wall.
2. The wall must be sturdy and in good repair.
3. Some walls require alternative fixings (not included).
4. When drilling into the wall, check for hidden pipes and cables.
5. There are two options for construction of this surround.

A - with rebates - If you are installing this surround with a gas fire, or an electric fire where there is space in the wall to recess the fire, this means the laminate / marble is up against the wall.

B - with out rebates - If using this surround with an electric fire and a flat wall you will need to remove the rebates, instead use the spacer frame from the fire.

2.0 TOOLS REQUIRED



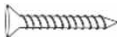

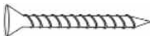

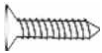

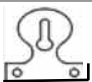
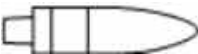
Cross head screwdriver PZ2 (3 inches in length or greater)

Drill, 6mm and a 2mm suitable drill bit

Pencil

Tape measure

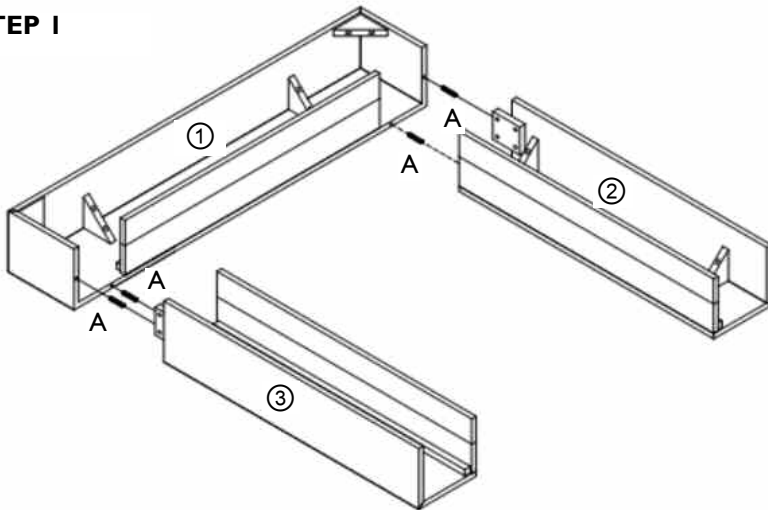
3.0 HARDWARE & PARTS LIST

CODE	NAME	FIGURE	QUANTITY	CODE	NAME	FIGURE	QUANTITY
A	WOOD DOWELS (30mm)		4PCS	①	TOP PANEL		IPC
B	SCREWS (8X25mm)		8PCS	②	LEFT LEG		IPC
C	SCREWS (8X38mm)		2PCS	③	RIGHT LEG		IPC
D	SCREWS (6X20mm)		4PCS				
E	WALL PLUGS (6X25mm)		2PCS				
F	MIRROR PLATES (45X43mm)		2PCS				
G	GLUE (10G)		IPC				

4.0 ASSEMBLY

GB IE

STEP 1



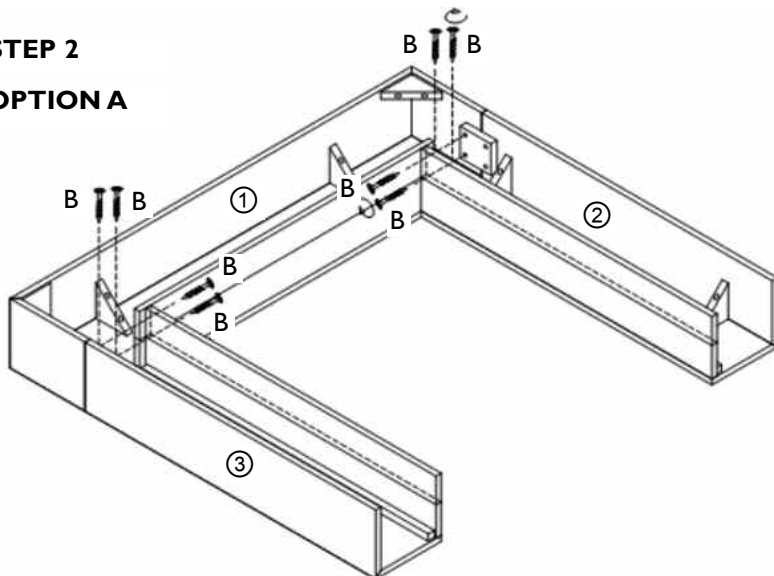
Fixings	Parts
A x 4 PCS	1
	2
	3

TAKE CARE - LAY THE SURROUND ON A SOFT SURFACE THAT WILL NOT DAMAGE THE SURROUND.

Lay the left leg (2) and the right leg (3) along with the top panel (1) on the floor. Next insert 4 wood dowels (A) in to each leg with a small amount of glue (G). Push them together so that the 3 parts fit together with no gaps.

STEP 2

OPTION A

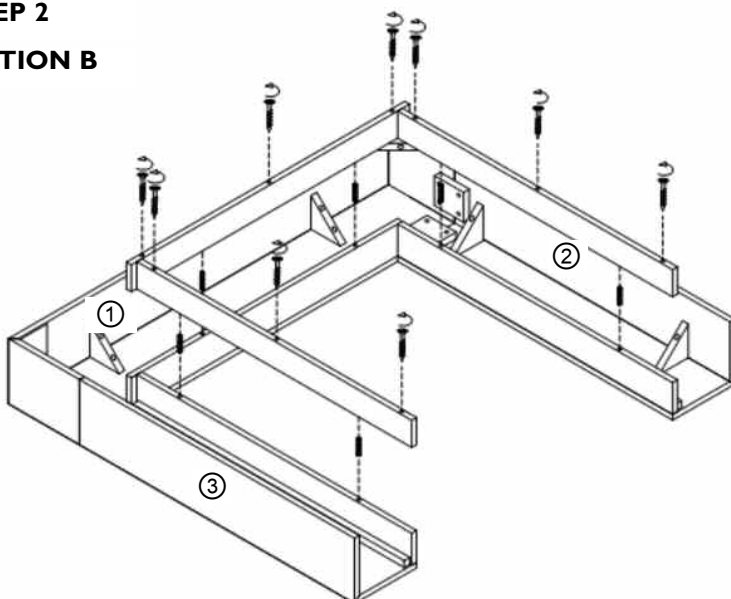


Fixings	Parts
B x 8 PCS	1
	2
	3

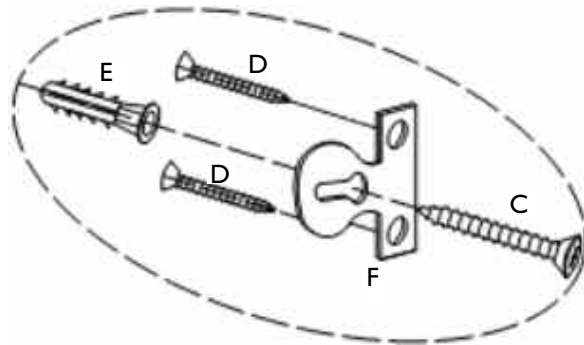
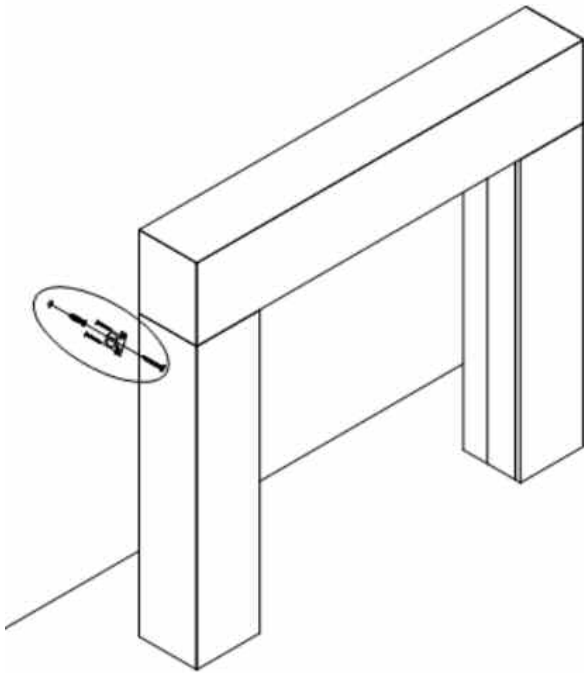
When the parts are assembled correctly scure them in place using the 8x25mm screws (B).

STEP 2

OPTION B



If you require a 75mm rebate, you will now need to remove the rebates from the surround, this can be achieved by removing 3x screws (B) and 2x dowels (A) from each rebate.



Fixings
 C x 2 PCS
 D x 4 PCS
 E x 2 PCS
 F x 2 PCS

With a pencil mark out the desired height where you would like the mirror brackets (F) to be situated on the rear of the legs. To avoid splitting the leg, pre drill the bracket holes with a 2mm drill bit. Now attach the brackets to the legs using the screws (D). Once the brackets are in position, centre and level the hearth into its final fitting position. Position the surround on the hearth to correspond with the header/fireplace lintel, mark with a pencil on the wall where you wish to drill. Remove the surround and prepare the wall from the marked positions. If using the fixings supplied, drill a hole in the wall using a 6mm drill bit. If not, use a suitable drill bit for the wall plugs you are using. Insert the wall plugs (E) into position. Offering the surround back up into position against the wall, you are now able to secure the surround to the wall using the screws (C).

6.0 CLEANING/ FINISHING

Before carrying out any of the following operations, ensure that the appliance is OFF and completely cold. Regularly clean around the appliance to ensure that dust, fluff, pet hair etc, are kept to a minimum. There are no other specific requirements for care, other than regular cleaning of the general appliance.

A wipe with a dry cloth is normally sufficient. **DO NOT** use abrasive cleaners as they can damage the finish. Test on a hidden part before cleaning. Clean only in the direction of the grain. Regularly check the surround is securely fixed in position.

7.0 GUARANTEE - TERMS AND CONDITIONS

The 3 year guarantee commences from the date of purchase, provided that the terms and conditions are adhered to:

Registration is not required.

1. For any claim to be made within the 3 years from date of purchase you will be required to provide and supply us with your proof of purchase.

Making a claim is easy.

If you wish to make a claim under our 3 year guarantee and all the terms and conditions for your product have been met then please submit the following information for the attention of the 3G Service Department to the address below. Alternatively, you can email or fax. Please note that this does not affect your statutory rights.

Focal Point Fires plc, 3G Service Department, Reid Street, Christchurch, Dorset, BH23 2BT.
 Alternatively email: 3g@focalpointfires.co.uk or fax. 01202 499326.

Details required:

1. Name, full address including post code and contact telephone number.
2. Receipt of purchase or credit card statement.